

# 1160 BLUETOOTH WIRELESS SCANNER

Wireless  
Freedom  
Wireless  
Freedom  
Wireless  
Freedom



Base Station

- Safe Linear Imaging Technology
- Ergonomic and Light Weight
- Small Size (150mm)
- Reading Distance: from 2 cm up to 29 cm
- Ideal for Retail Applications

# 1160 BLUETOOTH WIRELESS SCANNER

## Specifications

### 1160 Scanner: Bluetooth Class 2

• Frequency:	2.402~2.4835 GHz
• Modulation:	GFSK, 1Mbps, 0.5BT Gaussian
• Data Rate:	433 Kbps
• Power:	+3dBm
• Hopping:	1600 hops/sec, 1MHz channel space
• Receive IF Frequency:	1.5MHz center frequency
• Compliant:	Bluetooth Specification Ver. 1.1 Serial Port Profile
• Coverage:	50M line-of-sight
• Antenna:	Internal

#### Power

Operation Battery	Li-ion
Working Hours	30 hours, 50,000 scans

#### Environmental

Temperature:	0°~50°C (operating) -20°~60°C (storage)
Humidity	10%~90% non-condensing (operating) 0%~95% non-condensing (storage)
Shock Resistance	Withstand multiple drops from 1.2M onto a concrete surface

#### Physical

Weight	220g (including batteries)
Housing	ABS and Rubber
Switch	Micro switch
Color	Dark Grey / Black
Dimensions	91 x 73 x 172 mm (L x W x H)

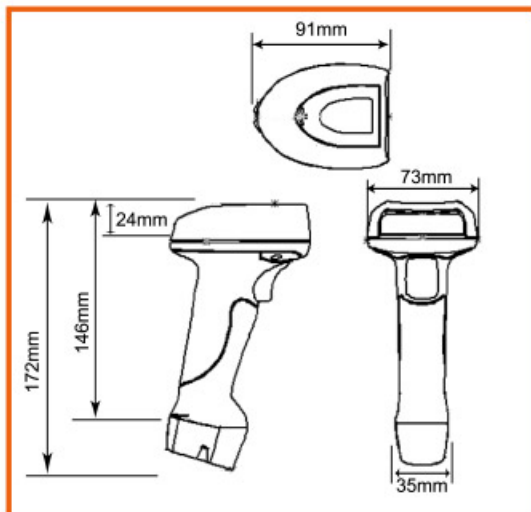
#### Optical

Light Source	Red LED (630nm)
Resolution	Up to 0.125mm (5mil)
PCS (Min.)	0.45
Scanning Engine	100 scans/sec
Ambient Light Rejection	Maximum 2000 lux fluorescent light or 1000 lux sun light

#### Safety & Regulatory Approvals

FCC class-A, CE, C-tick

## Dimensions



### 3660 Base Station

• Power:	5V DC (max. 1A)
• Output Power:	+3dBm
• Piconet Support:	Up to 7 scanners
• Output Interface:	RS232, Keyboard Wedge, USB (Virtual Com & Hid)

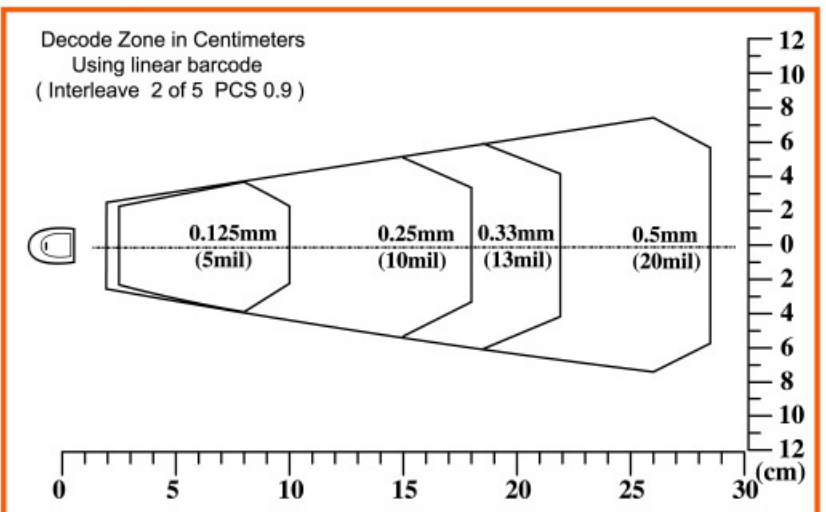
#### Features

CPU	16-bit CMOS, low power consumption
Symbology Supported	Code 39/Full ASCII, Codabar, Pharma Code, Industrial 2 of 5, Interleave 2 of 5, Matrix 2 of 5, Code 93, Code 128, EAN 128, MSI, EAN 8&13, UPCA & E, Plessey, RSS14, TELEPEN
Keyboard Interface	IBM PC/XT/AT & compatible, PS2-30, PS-55
Indicator Buzzer LED	Red Color for Good Read; Green Color for Status
Programmable Features	<b>Autosense Mode</b> Code ID, Prefix code, Postfix Code, Length Code, Barcode type. Buzzer frequency, ISBN/ISSN/CLSI/UK Plessey conversion, Keyboard layout, Inter-character delay, Scanning mode, Language type, Time out, Baud rate, Data bit, Transmission mode, Character replacement
Data Editing Mode	Three editing formats are supported. The following conditions can be programmed: code type, data length and location. Data can be divided into 6 Matching string fields. Five additional fields can be programmed for each editing format. User programmable field transmission sequence.
Language Support	English(US), English(UK), French, Italian, Belgian, Norwegian/Swedish, Spanish, Portuguese, German

#### Warranty

1 Year

## Reading Performance



\* Preliminary Specifications - subject to change without notice.

